



Artwork consists of eleven (11) 8½ x 11 inch pages.

REV AUTHORED BY G CORRIDORI	DATE 3/14/08	 HOLOGIC [®] A FAMILY OF COMPANIES	Osteoporosis Assessment LORAD [®] Breast Cancer Detection DirectRay [®] Digital Imaging FLUOROSCAN [®] C-arm Imaging	 SIGNATURES ON FILE
REV DRAFTED BY G CORRIDORI	DATE 3/14/08			
PROPRIETARY: This document contains proprietary data of Hologic, Inc. No disclosure, reproduction or use of any part thereof may be made except by written permission from Hologic.		TITLE DISCOVERY/EXPLORER SITE PREP GUIDE	DOCUMENT NUMBER AW-00048	REV 006
REV. RELEASE DATE: 03/21/08	SIGNATURE FILE		SIZE A	SHEET 1 OF 1

**Discovery Series and Explorer Site
Preparation Guide**

March 2008

The information contained in this Manual is confidential and proprietary to Hologic, Inc. This information is provided only to authorized representatives of Hologic's customers, solely for the purpose of facilitating the use of Hologic's products. No information contained herein may be disclosed to any unauthorized person, for any purpose whatsoever without the written consent of Hologic, Inc.

The information in this document is subject to change without notice.

© Copyright 2000-2008 by Hologic, Inc. All rights reserved.

Discovery™, Explorer™, QDR for Windows™ and QDR for Windows XP are trademarks of Hologic, Inc.

QDR® and the Hologic logo are registered trademarks of Hologic, Inc.

Printed in the U.S.A.

Windows®, Windows® 98 and Windows XP are either registered trademarks or trademarks of Microsoft Corporation in the United States and/or other countries.

All trademarks, registered trademarks, and product names used within this document are the property of their respective owners.

Hologic, Inc.

35 Crosby Drive
Bedford, MA 01730
USA

Tel: (781) 999-7300

Fax: (781) 280-0669

Service: (800) 321-HOLX (321-4659)

User Support: (800) 321- HOLX (321-4659)

Hologic Europe

Hologic N. V.
Leuvensesteenweg 250A
1800 Vilvoorde
Belgium

Tel: 32.2.711.4680

Fax: 32.2.725.20

Introduction

This guide provides information for preparing the site for the delivery and installation of a QDR Series X-ray device.

The installation of an X-ray device at any site requires serious consideration regarding space and site planning. A correctly prepared site provides a comfortable working environment for the operator with proper access for the patient.

If you have specific questions or concerns, please contact Hologic Sales Administration Department at (800) 343-XRAY.

Room Requirements

The following figures show the minimum room dimensions for a QDR System:

- Figure 1-1. Discovery A
- Figure 1-2. Discovery SL
- Figure 1-3. Discovery W, Wi and PW
- Figure 1-4. Discovery C, Ci, P and Explorer
- Figure 1-5. Explorer with Whole Body Option

A larger room and wider doorway, however, simplifies installation, use, and service.

You can fit a QDR System through a 76 cm (30 in.) wide doorway. A hallway at least 115 cm (45") wide simplifies and speeds up installation.

Note: The minimum room dimensions assume there are no obstructions or outcroppings within the room. It is the customer's responsibility to remove obstructions or outcroppings prior to the install date.

The QDR Series operator's console is connected to the scanner table by a 4.5m (15') cable.

Since the leakage and scatter radiation levels are low, you can place the operator's console in the same room with the QDR Series scanner. Additional shielding should not be required, however, state regulations may vary. Please discuss your particular state requirements with your radiation facility safety officer.

Note 1: When planning room layout, bear in mind that the signal and console power cables come out of the left rear corner of the scanner unit (facing the scanner) and plug into the operator's console.

Note 2: Optional 9m (30 ft) or 14m (45 ft) signal/console power cables are available by special order—at no additional charge.

Note 3: The system power cable comes out of the left rear corner of the scanner unit (Discovery) or the Power Module (Explorer) and plugs into a wall outlet. The length is 4.5m (15'). No other length is available.

The following table provides the weight, area, and floor loading specifications for the Discovery Series and Explorer systems:

	Discovery A	Discovery C, Discovery Ci Discovery P	Discovery SL	Discovery W, Discovery Wi Discovery PW	Explorer
Equipment Weight	365 kg 800 lb	295 kg 650 lb	365 kg 800 lb	295 kg 650 lb	327 kg 720 lb
Max. Patient Weight	204 kg 450 lb	204 kg 450 lb	204 kg 450 lb	204 kg 450 lb	159 kg 350 lb
Total Weight	524 kg 1150 lb	454 kg 1000 lb	524 kg 1150 lb	454 kg 1000 lb	463 kg 1020 lb
Area	1.9 m x 1.1 m 6.3 ft x 3.5 ft	1.9 m x 1.1 m 6.3 ft x 3.5 ft	1.9 m x 1.1 m 6.3 ft x 3.5 ft	1.9 m x 1.1 m 6.3 ft x 3.5 ft	1.9 m x 1.1 m 6.3 ft x 3.5 ft
Floor Loading	244 kg/m ² 49.9 lb/ft ²	215 kg/m ² 43.9 lb/ft ²	244 kg/m ² 49.9 lb/ft ²	220 kg/m ² 45 lb/ft ²	222 kg/m ² 46.3 lb/ft ²

The floor must be level to within 3 cm across 2m (1 in. across 6 ft). If carpeting is beneath the system, it should be low pile and anti-static.

If possible, allow clearance of at least a 5 cm (2 in.) plus the maximum tabletop extension for the -A and -SL models between the QDR System outer surfaces and the walls.

Temperature/Humidity Control

You can operate your QDR System at the following temperature and humidity levels:

- Temperature: 15° - 32° C (59° - 90° F)
- Humidity: 20 % - 80 % relative humidity, non-condensing

Heat Load

The Discovery A and SL will add approximately 1500 watts (5120 BTU/hour) to the air conditioning load of the room in which it is installed.

The Discovery W, Wi, PW, C, Ci, P and Explorer will add approximately 1000 watts (3400 BTU/hour) to the air conditioning load of the room in which it is installed.

Power Requirements

The power requirements for all models of the QDR System are as follows:

VOLTAGE (volts)	FREQUENCY (Hz)	CURRENT (Amperes)	MAXIMUM APPARENT LINE RESISTANCE (ohms)
100	50/60	16.0	0.32
120 (Domestic)	50/60	14.0	0.32
230	50/60	8.0	1.28

Note: A dedicated, single-phase, grounded, electrical circuit is required for all models.

Pre-Installation Questionnaire

A Pre-Installation Questionnaire must be completed and returned to Hologic before system delivery and installation can be scheduled.

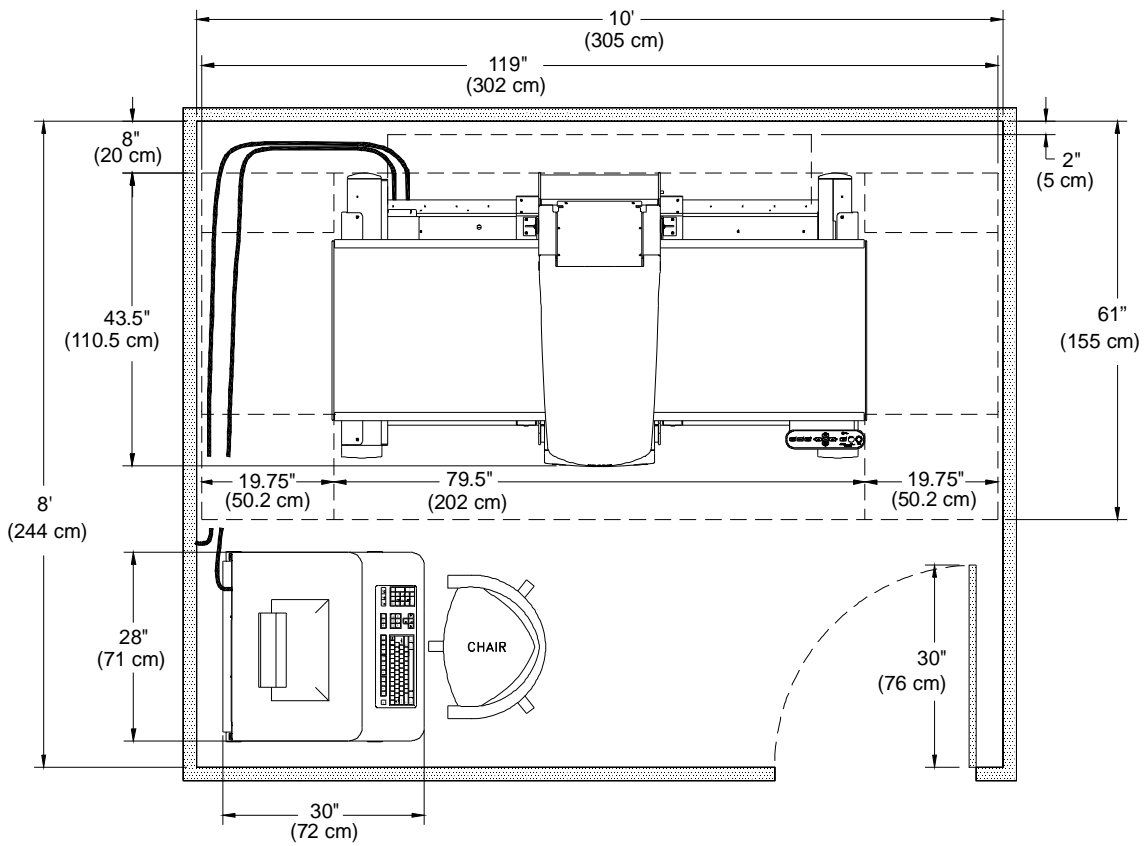


Figure 1-1. Discovery A

Note: For proper operation of the Discovery A, the room dimensions must be at least 10 ft (305 cm) by 8 ft (244 cm).

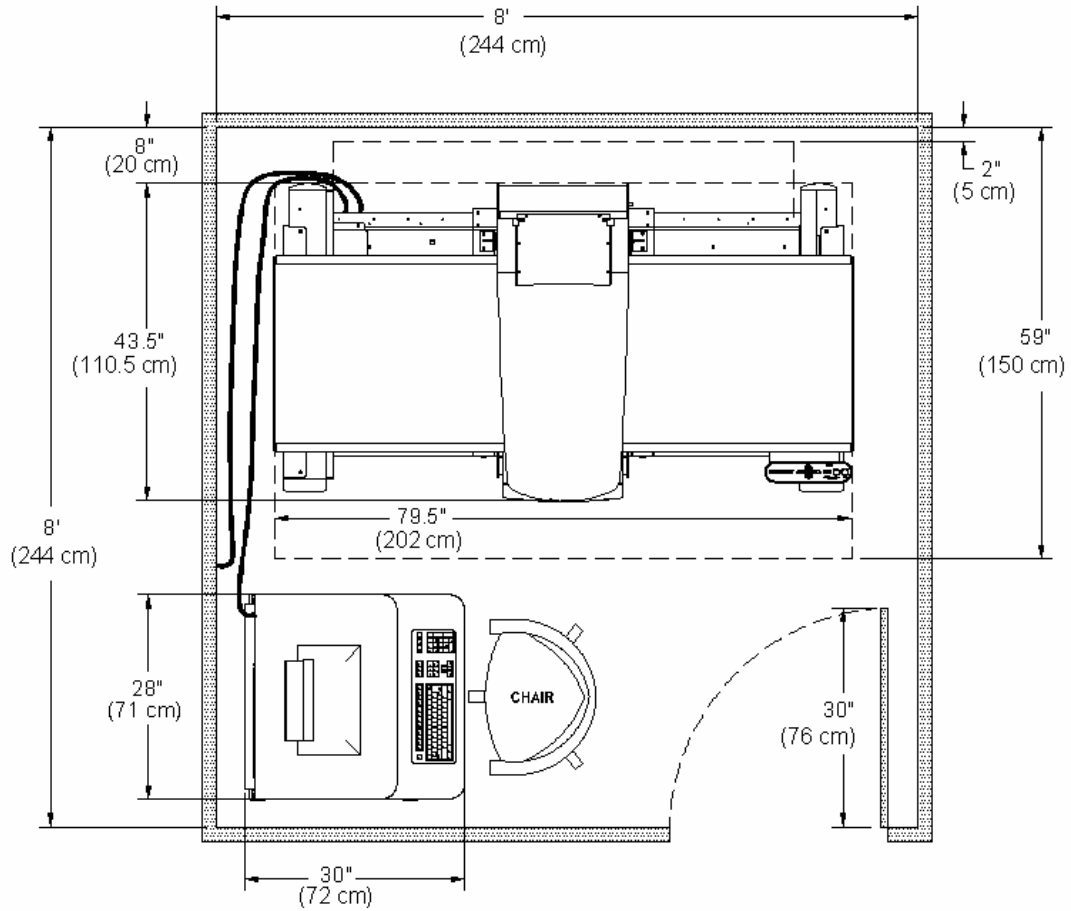
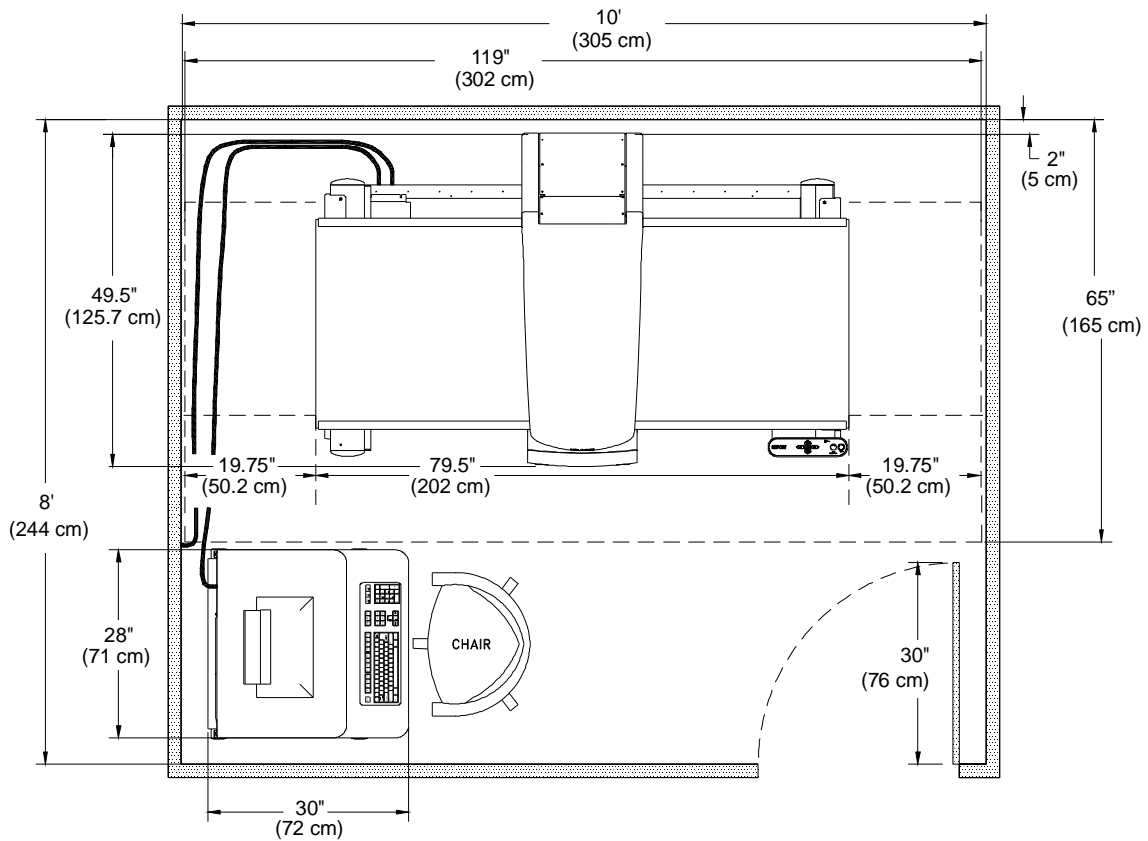


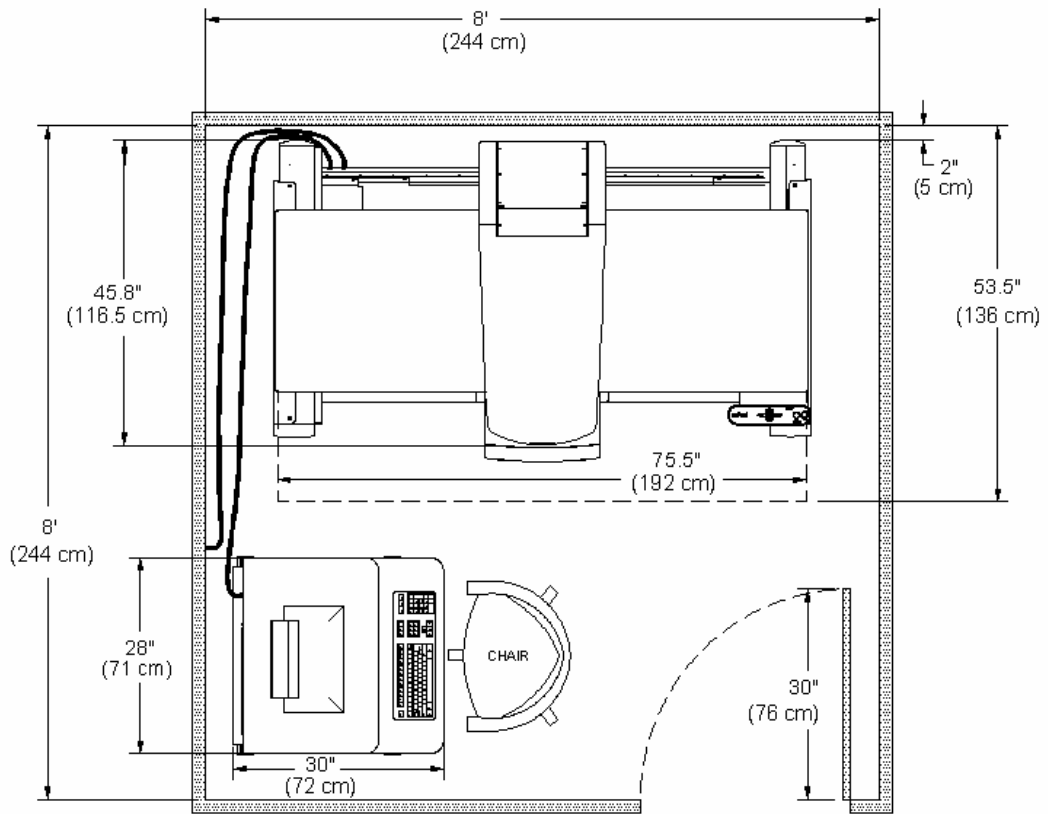
Figure 1-2. Discovery SL

Note: For proper operation of the Discovery SL, the room dimensions must be at least **8 ft (244 cm) by 8 ft (244 cm)**.



**Figure 1-3. Discovery W
Discovery Wi
Discovery PW**

Note: For proper operation of the Discovery W, Wi or PW the room dimensions must be at least 10 ft (305 cm) by 8 ft (244 cm).



**Figure 1-4. Discovery C
Discovery Ci
Discovery P
Explorer**

Note: For proper operation of the Discovery C, Ci, P, or Explorer **the room dimensions must be at least 8 ft (244 cm) by 8 ft (244 cm).**

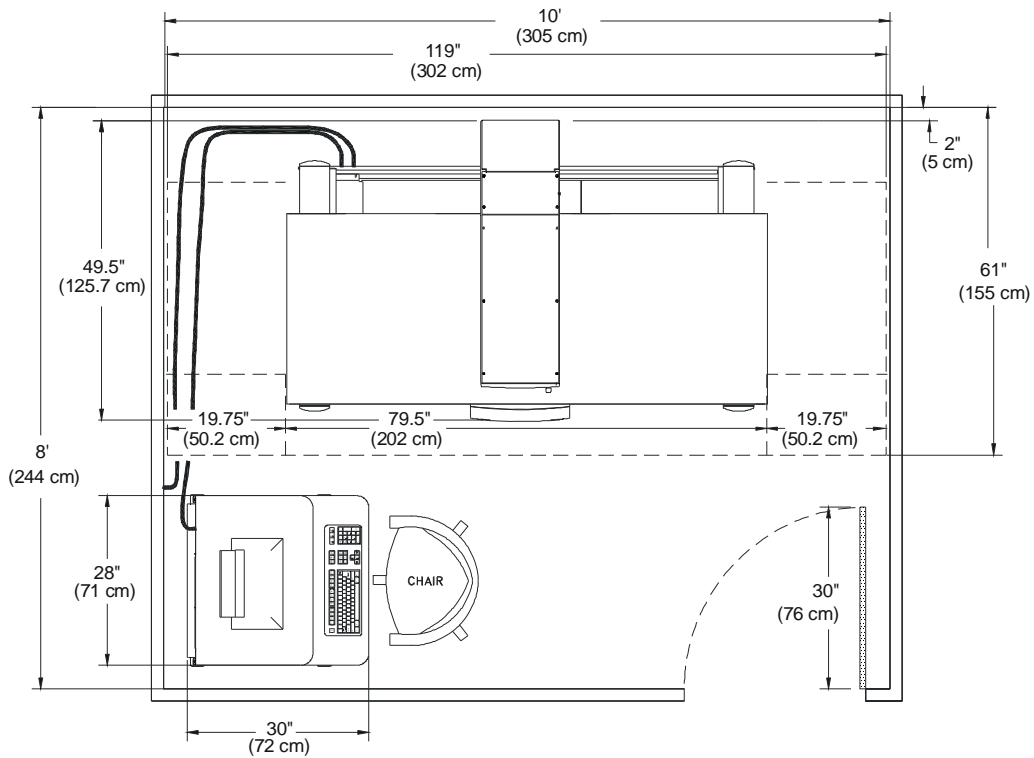


Figure 1-5. Explorer with Whole Body Option

Note: For proper operation of the Explorer with Whole Body Option, the room dimensions must be at least 10 ft (305 cm) by 8 ft (244 cm).

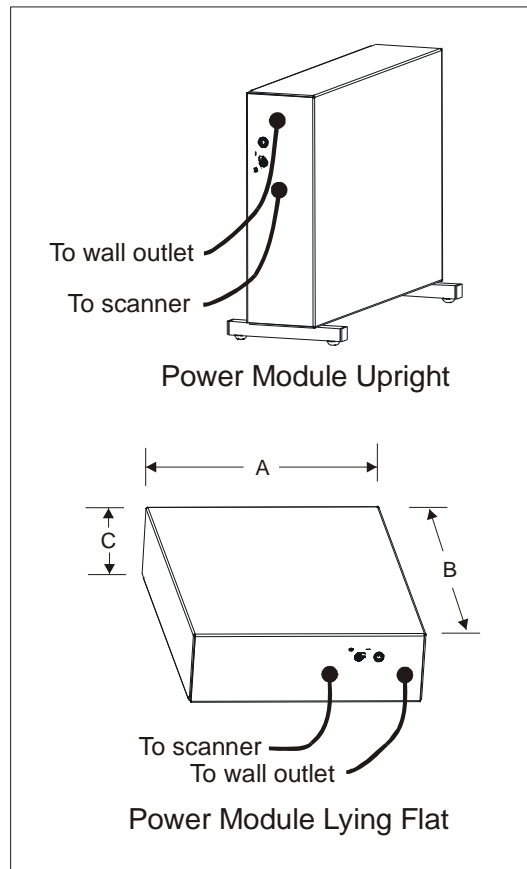


Figure 1-6. Explorer Power Module

The Explorer Power Module may be installed in the upright or flat position. Dimensions of the Power Module are shown in the following table.

Dimension	Inches	Centimeters
A	17.25	43.82
B	24.25	61.60
C	5.75	14.61